

UL CONTACT LOAD RATINGS TABLE



ONLY 1.1 CUBIC INCHES.
VARIETY OF MOUNTING CONFIGURATIONS.
TAPPED MOUNTING HOLES (49R1C4).
TV 5 RATING AVAILABLE.
STANDARD PILOT DUTY 240 VAC. MAGNETIC MOTOR CONTROLLER RATING 1/3 HP AT 120VAC.

| CONTACT MATERIAL | TYPE | LOAD | VOLTAGE |
|------------------|---------|------------|----------------------------------|
| SILVER | 3AMP | 3 AMP | 28 VDC, 120 VAC |
| | | 15 AMP | 28 VDC, 150 VAC, N. O. ONLY |
| SILVER ALLOY | 5AMP | 5 AMP | 28 VDC, 120 VAC |
| | | TV-3 | 120 VAC |
| | | PILOT DUTY | B300 (120/240 VAC) |
| SILVER ALLOY | 10AMP | 10 AMP | 120/240 VAC |
| | | 10AMP | 28 VDC |
| | | 10AMP | 277 VAC |
| | | 1/3 HP | 120 VAC |
| | | | 240 VAC, N. O. ONLY |
| | | 1/8 HP | 277 VAC, N. C. ONLY |
| | | TUNGSTEN | 2 AMP, 240W, 120 VAC, N. C. ONLY |
| | | | 5 AMP, 600W, 120 VAC, N. O. ONLY |
| | | 1/4 HP | 277 VAC, N. O. ONLY |
| | | BALLAST | 1.7 AMP @ 277 VAC |
| | | 1/6 HP | 120/240 VAC, N. C. ONLY |
| | | 15 AMP | 28 VDC, 150 VAC, N. O. ONLY |
| | | 480 VAC | 2 AMP MAX, 240/270 VAC |
| | | PILOT DUTY | B300 (120/240 VAC) |
| | | TV-5 | 120 VAC, N. O. ONLY |
| TV-3 | 120 VAC | | |

MANUFACTURED UNDER ISO 9002 & QS 9000

GENERAL SPECIFICATIONS (@ 25°C)

| | UNITS | |
|----------------------------------|----------------------|--------------------------------|
| COIL | | |
| Pull-in Voltage AC (50/60 Hz): | % of nominal | |
| Pull-in Voltage DC: | % of nominal | Not applicable |
| Dropout Voltage AC (50/60 Hz): | % of nominal | 80 |
| Dropout Voltage DC: | % of nominal | Not applicable |
| Maximum Voltage: | % of nominal | 10 |
| Resistance: | % ± | 120 |
| Coil Power AC (60 Hz): | VA | 10 |
| Coil Power DC: | W | Not applicable |
| Duty: | | 0.4 Continuous |
| CONTACTS | | |
| Contact Material: | | Silver gold clad plated/silver |
| Contact Rating AC Amperes (AC1): | A | 3 / 5 / 10 |
| Contact Rating AC Voltage: | V | 120 / 120 / 270 |
| Contact Rating DC Amperes (DC1): | A | 3 / 5 / 10 |
| Contact Rating DC Voltage: | V | 28 / 28 / 28 |
| Horse Power (AC): | Hp | 1/3 @ 120 |
| Pilot Duty (60 Hz): | | B300 |
| TIMING | | |
| Operate Time: | ms | 10 |
| Release Time: | ms | 7 |
| DIELECTRIC STRENGTH | | |
| Coil to Contacts: | V rms | 1500 |
| Across Open Contacts: | V rms | 500 |
| Pole to Pole: | V rms | 1500 |
| Contacts to Frame: | V rms | Not applicable |
| Insulation Resistance: | megohms minimum @VDC | 1000 @ 500 |



| | UNITS | |
|--------------------------------|------------|-----------------------------|
| VIBRATION RESISTANCE | | |
| Functional: | g's | 1.65 DA 10-55Hz |
| SHOCK RESISTANCE | | |
| Functional: | g's | 10 |
| TEMPERATURE | | |
| Operating, AC Lower: | °C | Not applicable |
| Operating, AC Upper: | °C | Not applicable |
| Operating, DC Lower: | °C | -55 |
| Operating, DC Upper: | °C | +85 |
| Storage, Lower: | °C | -55 |
| Storage, Upper: | °C | +130 |
| LIFE EXPECTANCY | | |
| Electrical @ Rated Load (AC1): | operations | 100,000 |
| Mechanical @ no Load : | operations | 50,000 |
| MISCELLANEOUS | | |
| Operating Position: | | Any |
| Enclosure Material: | | UL 94v-0 plastic epoxy seal |
| Cover Protection Category: | IP | 50 |
| Weight: | grams | 42 |

49 PRINTED CIRCUIT BOARD ENCLOSED RELAY

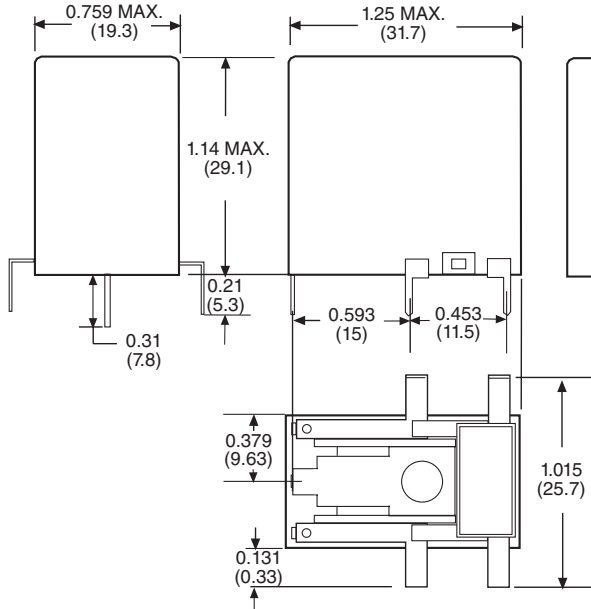


SPDT, 3, 5 & 10 AMPS

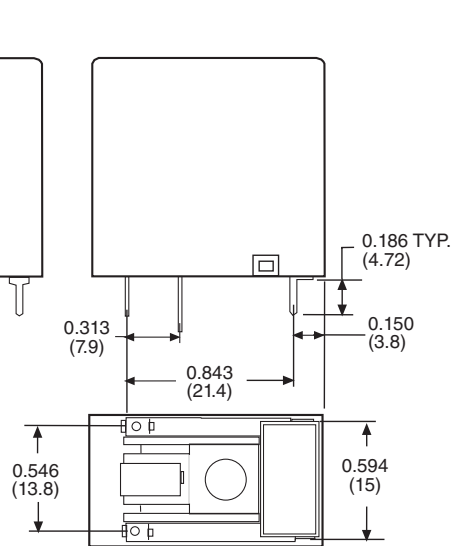
WIRING DIAGRAM (TOP VIEWED)

OUTLINE DIMENSIONS DIMENSIONS SHOWN IN INCHES & (MILLIMETERS).

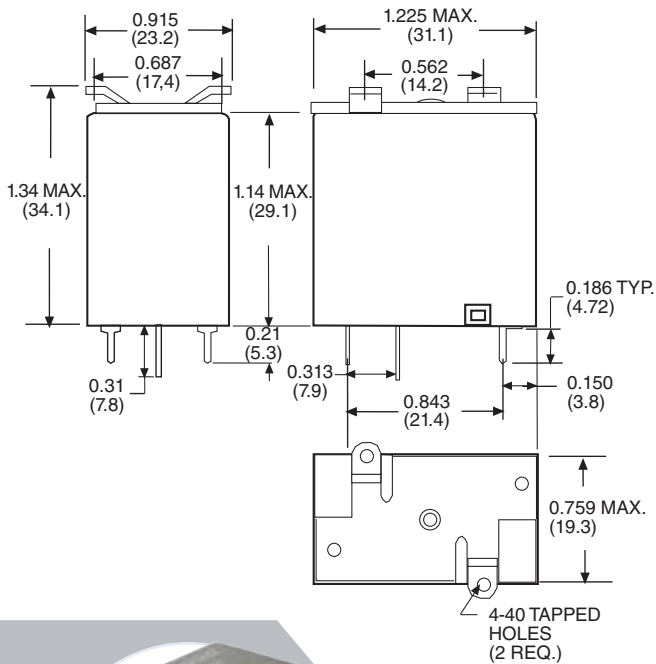
STYLE RE1C2



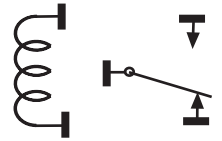
STYLE RE1C1



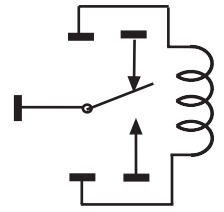
STYLE R1C4



STYLE RE1C1 R1C4



STYLE RE1C2



| STANDARD PART NUMBERS | CONTACT CONFIGURATION | COIL MEASURED @ 25 °C | |
|---------------------------------------------------------------|-----------------------|-----------------------|---------------------------|
| | | NOMINAL INPUT VOLTAGE | NOMINAL RESISTANCE (OHMS) |
| STYLE RE1C1, 3 AMP | | | |
| W49RE1C1VG-3DC-SIL | SPDT | 3 VDC | 90 Ω |
| W49RE1C1VG-5DC-SIL | SPDT | 5 VDC | 235 Ω |
| W49RE1C1VG-12DC-SIL | SPDT | 12 VDC | 1350 Ω |
| W49RE1C2VF-6DC-SIL | SPDT | 6 VDC | 410 Ω |
| W49RE1C2VF-12DC-SIL | SPDT | 12 VDC | 1640 Ω |
| W49RE1C2VF-24DC-SIL | SPDT | 24 VDC | 6560 Ω |
| STYLE RE1C1 AND RE1C2, 5 AMP | | | |
| W49RE1C1VG-5DC-SCO | SPDT | 5 VDC | 235 Ω |
| W49RE1C1VG-12DC-SCO | SPDT | 12 VDC | 1350 Ω |
| W49RE1C1VG-24DC-SCO | SPDT | 24 VDC | 5400 Ω |
| W49RE1C2VF-6DC-SCO | SPDT | 6 VDC | 410 Ω |
| W49RE1C2VF-12DC-SCO | SPDT | 12 VDC | 1640 Ω |
| W49RE1C2VF-24DC-SCO | SPDT | 24 VDC | 6560 Ω |
| STYLE RE1C1, 10 AMP | | | |
| W49RE1C1VW-5DC-SCO | SPDT | 5 VDC | 100 Ω |
| W49RE1C1VW-12DC-SCO | SPDT | 12 VDC | 600 Ω |
| W49RE1C1VW-24DC-SCO | SPDT | 24 VDC | 2400 Ω |
| SOLDER TERMINALS, BRACKET MOUNTING STYLE RE1C4, 10 AMP | | | |
| W49R1C4VG-5DC-SCO | SPDT | 5 VDC | 235 Ω |
| W49R1C4VG-12DC-SCO | SPDT | 12 VDC | 1350 Ω |
| STYLE RE1C4, 10 AMP | | | |
| W49R1C4VW-5DC-SCO | SPDT | 5 VDC | 100 Ω |
| W49R1C4VW-24DC-SCO | SPDT | 24 VDC | 2400 Ω |

